



**POWER TECH**  
Electric Motors

# AIR COMPRESSOR MOTORS



## Standard Features:



- 2-5 HP
- 3600 RPM
- 56-145T Frame
- Service Factor 1.0
- IP23 Protection
- Insulation Class F
- Class B Temp Rise
- Rolled Steel Construction
- Removable Universal Base (56, 143/5T)
- Overload Protection with Manual Reset
- Capacitor Start / Capacitor Run

HP	RPM	Frame	Voltage	Model Number	FL Amps	Approx. Wt. (lbs.)	List Price
2 SPL	3600	56	115/208-230	CMO2256	15/7.5	27	\$310.11
3 SPL	3600	56	115/208-230	CMO3256	18/9	40.8	\$341.03
5 SPL	3600	56	208-230	CMO5256	16-15	44.5	\$401.86
5	3600	143/5T	208-230	1205T-ODP	22-21	52.2	\$449.17

Distributed By:  
Electric Motor Solutions  
Mankato, MN  
PH: 612-746-7624



[www.electricmotorsolutions.com](http://www.electricmotorsolutions.com)

## POWER TECH ELECTRIC MOTORS, LLC

9054 Cody St, Overland Park, KS 66214, USA

800-680-4423 / 913-888-4488 FAX 913-904-0166

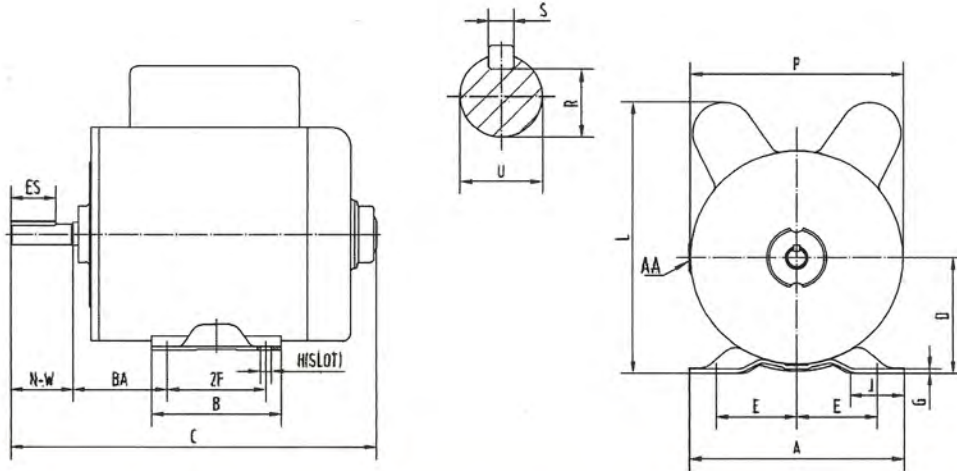
[sales@powertechelectricmotors.com](mailto:sales@powertechelectricmotors.com)

[www.usapowertech.com](http://www.usapowertech.com)



**POWER TECH**  
Electric Motors

# AIR COMPRESSOR MOTORS



Model	Frame	E	2F	H	BA	A	B
CMO2256	56	2.44	3	0.34	2.75	6.5	4.0
CMO3256	56	2.44	3	0.34	2.75	6.5	4.0
CMO5256	56	2.44	3	0.34	2.75	6.5	4.0
1205T-ODP	145T	2.44	3	0.34	2.75	6.5	4.0

Model	C	D	L	J	P	G	AA
CMO2256	11.10	3.5	7.95	1.73	6.46	0.12	0.5
CMO3256	12.28	3.5	7.95	1.73	6.46	0.12	0.5
CMO5256	12.83	3.5	7.95	1.73	6.46	0.12	0.5
1205T-ODP	13.98	3.5	7.95	1.73	6.46	0.12	0.5

Model	S	ES	R	N-W	U
CMO2256	0.188	1.41	0.517	1.88	0.625
CMO3256	0.188	1.41	0.517	1.88	0.625
CMO5256	0.188	1.41	0.517	1.88	0.625
1205T-ODP	0.188	1.41	0.771	2.25	0.875



Distributed By:  
Electric Motor Solutions  
Mankato, MN  
PH: 612-746-7624  
[www.electricmotorsolutions.com](http://www.electricmotorsolutions.com)



## POWER TECH ELECTRIC MOTORS, LLC

9054 Cody St, Overland Park, KS 66214, USA

800-680-4423 / 913-888-4488 FAX 913-904-0166

sales@powertechelectricmotors.com

www.usapowertech.com